

Predictive Analytics for Energy System New Architecture in Neutral Fuzzy System

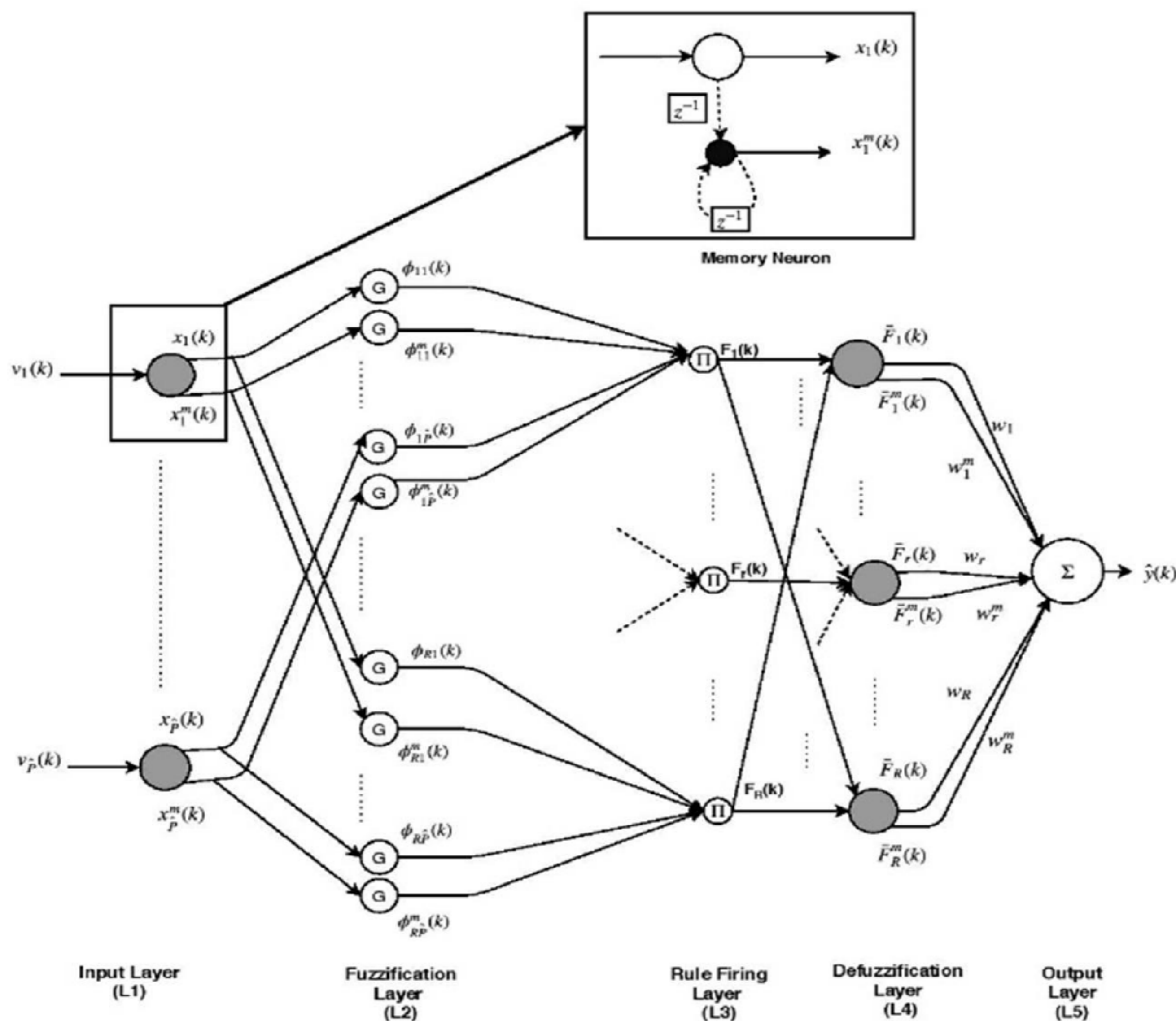
Student: Andre Hartanto

Supervisor: Asst. Prof. Mahardhika Pratama

Objective

To Design and Implement New Model for Predicting Time-Series Problem

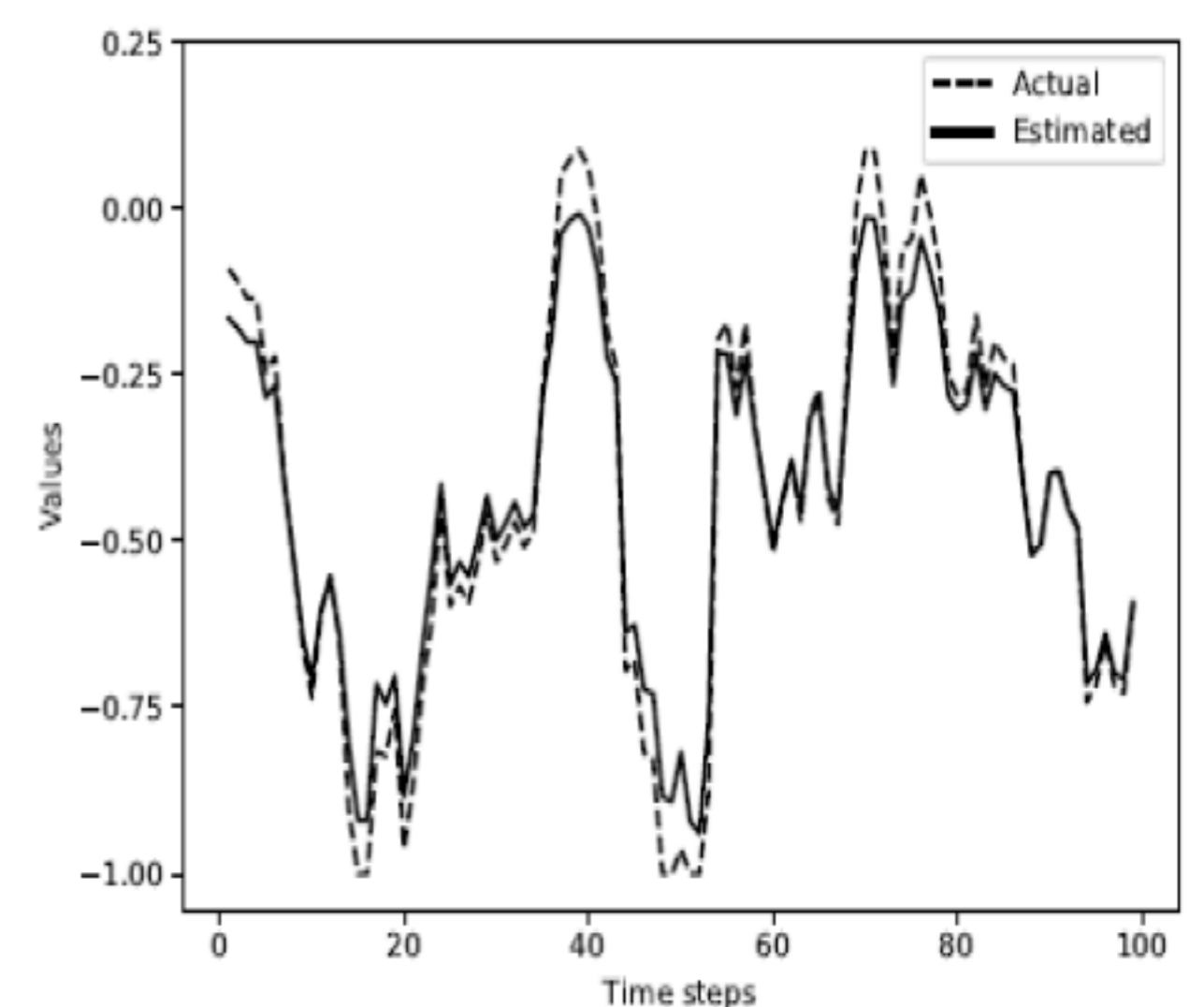
Architecture



Result

Problem	Test RMSE
SID1	0.019
MG	0.048
Wind	0.058

Wind Performance



Contribution

- Inclusion of memory neurons for dynamic handling
- Utilization of k-means clustering for rule base estimation
- Self-regulatory learning for better generalization